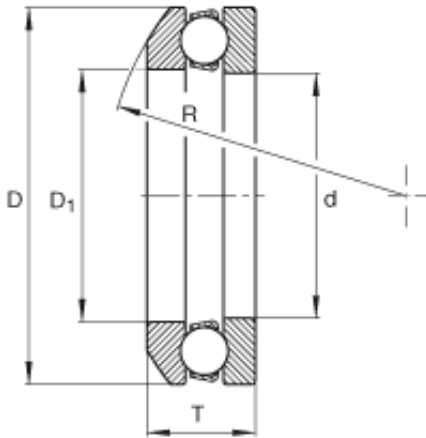




LLC NTN-SNR RUS

INA 4136 thrust ball bearings



Bearing No. 4136

Size	180x260x70 mm
Bore Diameter	180 mm
Outer Diameter	260 mm
Width	70 mm
d	7,087 inch
d	180 mm
D	10,236 inch
D	260 mm
T	2,756 inch
T	70 mm
D ₁	7,244 inch
R	220 mm
m	26,771 lbs / Weight
m	12,141 kg / Weight
C _a	88000 lbf / Dynamic load rating (axial)
C _a	390000 N / Dynamic load rating (axial)
C _{0a}	277000 lbf / Static load rating (axial)
C _{0a}	1230000 N / Static load rating (axial)

4136 Bearing 2D drawings and 3D CAD models