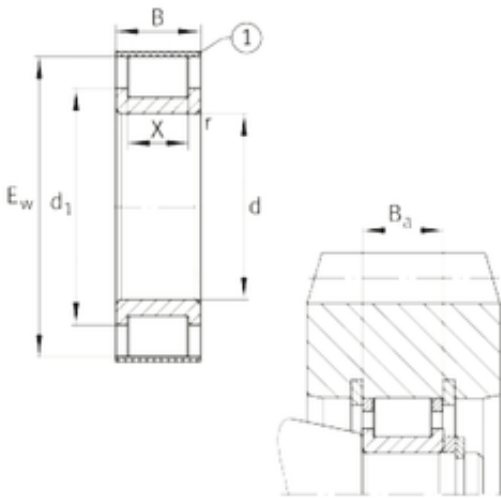




LLC NTN-SNR RUS

INA RSL182328-A cylindrical roller bearings

Bearing No. RSL182328-A



RSL182328-A Bearing 2D drawings and 3D CAD models

Size	140x264.447x102 mm
Bore Diameter	140 mm
Outer Diameter	264,447 mm
Width	102 mm
d	140 mm
Ew	264,447 mm
B	102 mm
Ba	96,4 mm
X	72 mm
d1	187,5 mm
r min.	4 mm
Weight	21,1 Kg
Basic dynamic load rating (C)	1260 kN