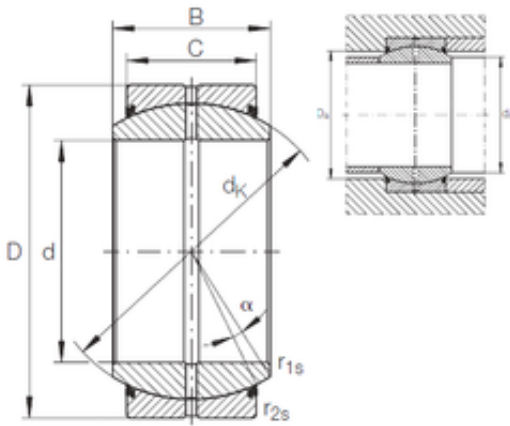




LLC NTN-SNR RUS

300 mm x 430 mm x 165 mm INA GE 300 DO-2RS plain bearings

Bearing No. GE 300 DO-2RS



GE 300 DO-2RS Bearing 2D drawings and 3D CAD models

Size	300x430x165 mm
Bore Diameter	300 mm
Outer Diameter	430 mm
Width	165 mm
d	300 mm
D	430 mm
B	165 mm
C	120 mm
dk	375 mm
r1 min.	1,1 mm
r2 min.	1,1 mm
da max	336,7 mm
Da min	370 mm
Angle	7 °
Weight	77,3 Kg
Basic dynamic load rating (C)	3800 kN