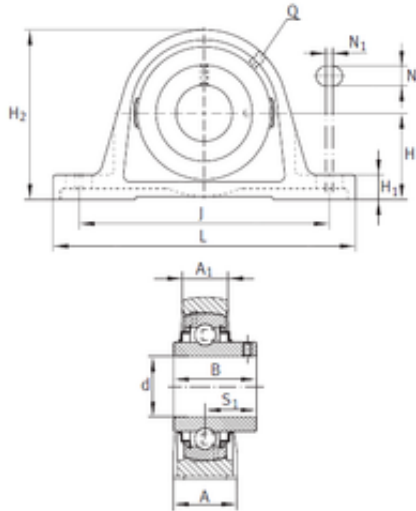




# LLC NTN-SNR RUS



## INA RASEY1-3/16 bearing units

Bearing No. RASEY1-3/16

Bore Diameter	30,163 mm
d	30,163 mm
S1	22,2 mm
Thread (Q)	1/8 NPT
A	42,495 mm
A1	27,001 mm
B	38,1 mm
H	42,901 mm
H1	18,009 mm
H2	83,389 mm
J	117,501 mm
L	157,2 mm
N	15,012 mm
N1	9,5 mm
Category	Pillow Block Bearings
Inventory	0.0
Manufacturer Name	SCHAEFFLER GROUP
Minimum Buy Quantity	N/A
Weight / Kilogram	1.3
Product Group	M06110
Number of Mounting Holes	2
Mounting Method	Set Screw
Housing Style	2 Bolt Pillow Block
Rolling Element	Ball Bearing
Housing Material	Cast Iron
Expansion / Non-expansion	Non-expansion

RASEY1-3/16 Bearing 2D drawings and 3D CAD models



## LLC NTN-SNR RUS

Relubricatable	Yes
Insert Part Number	GY1103KRRB
Seals	Double Land Riding Rubber Contact
Housing Configuration	1 Piece Solid
Inch - Metric	Inch
Other Features	Single Row   Standard Shaft Height
Long Description	2 Bolt Pillow Block; 1-3/16" Bore; 1-11/16" Base to Center Height; Set Screw Mount; Ball Bearing; 4.252" Minimum Bolt Spacing; 5" Bolt Spacing Maximum; Relubricatable; Cast Iron; D
Category	Pillow Block
UNSPSC	31171511
Harmonized Tariff Code	8483.20.40.40
Noun	Bearing
Keyword String	Pillow Block
Manufacturer URL	<a href="http://www.ina.com">http://www.ina.com</a>
Manufacturer Item Number	RASEY1-3/16
Weight / LBS	2.87
Base to Center Height	1.688 Inch   42.875 Millimeter
Bolt Spacing Minimum	4.252 Inch   108Millimeter
Length Thru Bore	1.5 Inch   38.1 Millimeter
Actual Bolt Center to Center	0 Inch   0Millimeter
Bolt Spacing Maximum	5 Inch   127Millimeter
Nominal Bolt Center to Center	4.8 Inch   121 Millimeter
Bore	1.188 Inch   30.175 Millimeter